

STORAGE | ELLA



ELLA

Make a statement with the iconic look of an industrial-style locker storage.

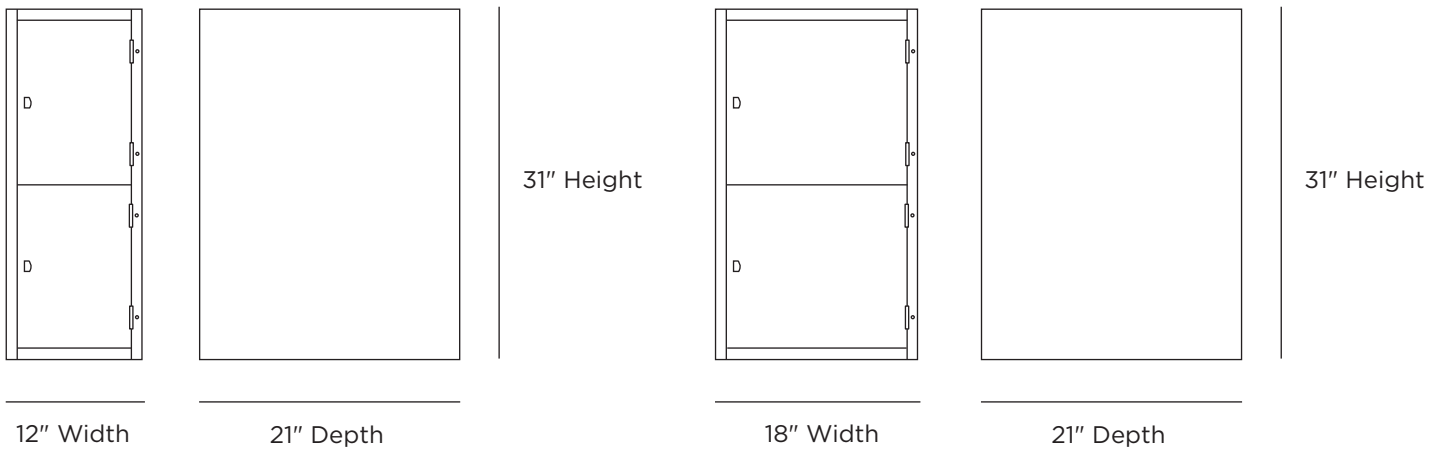


ELLA

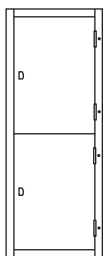
Take care of your team by providing lockers for their personal gear. A variety of sizes accommodate all sorts of storage needs.

- Each cabinet stands 31" tall and 12" or 18" wide.
- Choose from one 31" high door, two 15" high doors, or three 10" high doors.
- Easy-pull latches make opening and closing doors simple.
- Powder-coated steel cases stands up to heavy use.

DIMENSIONS

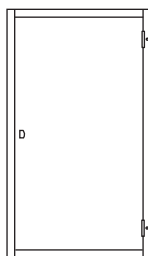


DOOR CONFIGURATIONS 12" WIDTH

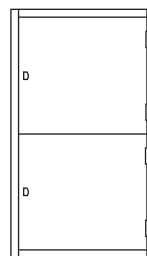


2 Doors
(Each 15" X 12")

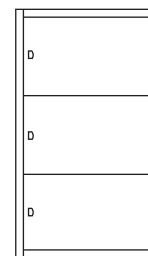
DOOR CONFIGURATIONS 18" WIDTH



1 Door
(31" X 18")



2 Doors
(Each 15" X 18")



3 Doors
(Each 10" X 18")

ELLA WORKSHEET

For each step, choose your option and write the corresponding code in the grey box at the right. If you plan to choose custom colors or materials, please contact your rep instead of completing this sheet.

<div style="display: flex; align-items: center;"> <div style="border: 1px solid black; border-radius: 50%; width: 40px; height: 40px; display: flex; align-items: center; justify-content: center; margin-right: 10px;">1</div> <div> <h2 style="margin: 0;">DIMENSIONS</h2> <p style="margin: 5px 0 0 0;">Select a width and a door configuration for your locker. Write the corresponding code and price in the grey boxes.</p> </div> </div>	DOOR CONFIGURATION	CODE	LIST PRICE
	31" x 18" x 21", 1 Door	D1	\$710.00
	31" x 18" x 21", 2 Doors	D2	\$765.00
	31" x 18" x 21", 3 Doors	D3	\$830.00
	31" x 12" x 21", 2 Doors	12D2	\$730.00
	A	CODE	C
	\$		
<div style="display: flex; align-items: center;"> <div style="border: 1px solid black; border-radius: 50%; width: 40px; height: 40px; display: flex; align-items: center; justify-content: center; margin-right: 10px;">2</div> <div> <h2 style="margin: 0;">COLOR</h2> <p style="margin: 5px 0 0 0;">Cabinets can be finished in 21 standard colors, including a clear coat that lets the natural material show through. Pick your favorite and write the code in the grey box.</p> </div> </div>	COLOR	CODE	
	Red	M1	
	Orange	M2	
	Yellow	M3	
	Blue	M4	
	Green	M5	
	Inter Red	M6	
	Safety Orange	M7	
	Western Tan	M8	
	Slate Blue	M9	
	Forest Green	M10	
	Dark Brown	M11	
	Graphite	M12	
	Sandstone	M13	
	Light Tan	M14	
	Clear	M15	
	Black	M16	
	Astro Grey	M17	
	Artic White	M18	
	Frame Grey	M19	
	Platinum Grey	M20	
	Champagne Metallic	M21	
	B	CODE	
ITEM NUMBER	NAME	A	B
	EL		
To complete your order, please transfer the codes from your worksheet to this section.			
TOTAL		GRAND TOTAL	
_____ x _____ =		\$ _____	
c		QUANTITY	