



DOLBY

Dolby's made a science of helping people stay plugged in, turning easy-access outlets into a key part of its industrial style.

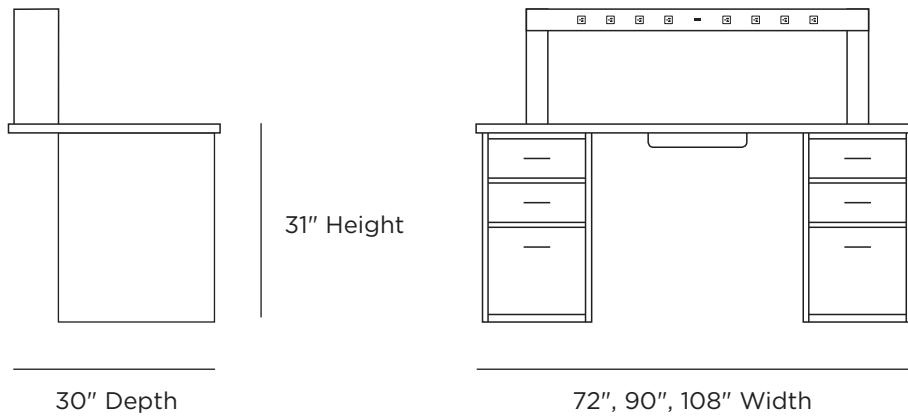


DOLBY

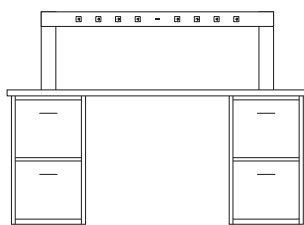
Dolby re-imagines the traditional desk with multiple devices in mind.

- Give yourself plenty of room to work with a 72", 90", or 108" width.
- A 31" height pairs with our stools or your work chair.
- A 30" depth is practical for most spaces and activities.
- Configure pedestals with 2, 3, or 4 drawers.
- The Power-Riser provides 8 power outlets.

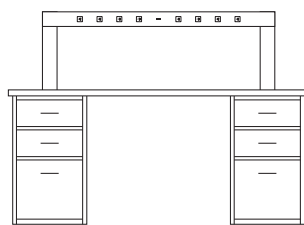
DIMENSIONS



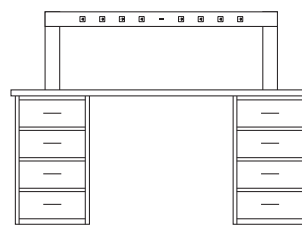
DRAWER CONFIGURATIONS



2 Drawer Pedestals
(Each 14" X 21")



3 Drawer Pedestals
(Top: Each 7" X 21")
(Bottom: Each 14" X 21")



4 Drawer Pedestals
(Each 7" X 21")

DOLBY WORKSHEET

For each step, choose your option and write the corresponding code in the grey box at the right. If you plan to choose custom colors or materials, please contact your rep instead of completing this sheet.

<p>1 DIMENSIONS</p> <p>Choose the width of your desk and write it in the grey box at right. We've written in the depth for you.</p>	WIDTH		DEPTH	
	72"		30"	
	90"		30"	
	108"		30"	
		WIDTH		DEPTH
				30"
<p>2 TABLE TOP</p> <p>Our wide variety of wood and laminate surfaces let you get creative with the look of your desk. Choose your favorite material and write the code and price in the grey boxes.</p> <p>Have something else in mind? We also do custom surfaces. Just call your rep to discuss.</p>	WOOD	DEPTH	CODE	LIST PRICE
	Cherry	1.25"	W1	\$150.00
	Multispecies	1.25"	W2	\$145.00
	Walnut	1.25"	W3	\$150.00
	Ash	1.25"	W4	\$150.00
	Butcher Block (Maple)	1.75"	WS2	\$80.00
		2.25"	WS3	\$100.00
	LAMINATE		CODE	LIST PRICE
	Designer White		L1	\$47.00
	Vapor Strandz		L2	\$47.00
	Manitoba Maple		L3	\$47.00
	Fusion Maple		L4	\$47.00
	Fashion Grey		L5	\$47.00
	North Sea		L6	\$47.00
	Astro Strandz		L7	\$47.00
	Windsor Mahogany		L8	\$47.00
	Cement		L9	\$47.00
	Shadow		L10	\$47.00
	Forged Steel		L11	\$47.00
	Cocobala		L12	\$47.00
	Asian Night		L13	\$47.00
	Black		L14	\$47.00
Slate Grey		L15	\$47.00	
		A		
		CODE		
		D		
		\$		
<p>3 PEDESTALS</p> <p>Choose the number of drawers in your pedestals and write the code and price in the boxes at right.</p>	DRAWER CONFIGURATION		CODE	LIST PRICE
	31" x 18" x 21", 2 Drawer Pedestal		2D2	\$1,388.89
	31" x 18" x 21", 3 Drawer Pedestal		2D3	\$1,805.00
	31" x 18" x 21", 4 Drawer Pedestal		2D4	\$1,943.43
			B	
		CODE		
		E		
		\$		

4 COLOR

Our pedestals and power riser can be finished in 22 standard colors, including a clear coat that lets the natural material show through. Pick your favorite and write the code in the grey box.

COLOR	CODE	COLOR	CODE
Red	M1	Graphite	M12
Orange	M2	Sandstone	M13
Yellow	M3	Light Tan	M14
Blue	M4	Clear	M15
Green	M5	Black	M16
Inter Red	M6	Astro Grey	M17
Safety Orange	M7	Arctic White	M18
Western Tan	M8	Frame Grey	M19
Slate Blue	M9	Platinum Grey	M20
Forest Green	M10	Champagne Metallic	M21
Dark Brown	M11	Battleship Grey	M22
			C
			CODE

ITEM NUMBER	NAME	WIDTH	A	B	C	To complete your order, please transfer the codes from your worksheet to this section.	
	DL						
TOP SQ FT	WIDTH		X	DEPTH		÷ 144	TOP SQ FT
TOP PRICE	TOP SQ FT		X	D		=	TOP PRICE
UNIT + OPTIONS	TOP PRICE		+	E		=	UNIT PRICE
TOTAL						GRAND TOTAL	
_____		X	_____		=	\$ _____	
UNIT PRICE			QUANTITY				