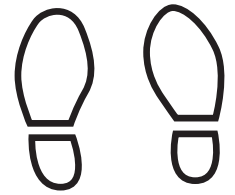


HOLD | SLY



SLY

Whatever you bring to the party, you can stash it in here. This hanging caddy has room for bags, notebooks, and more.

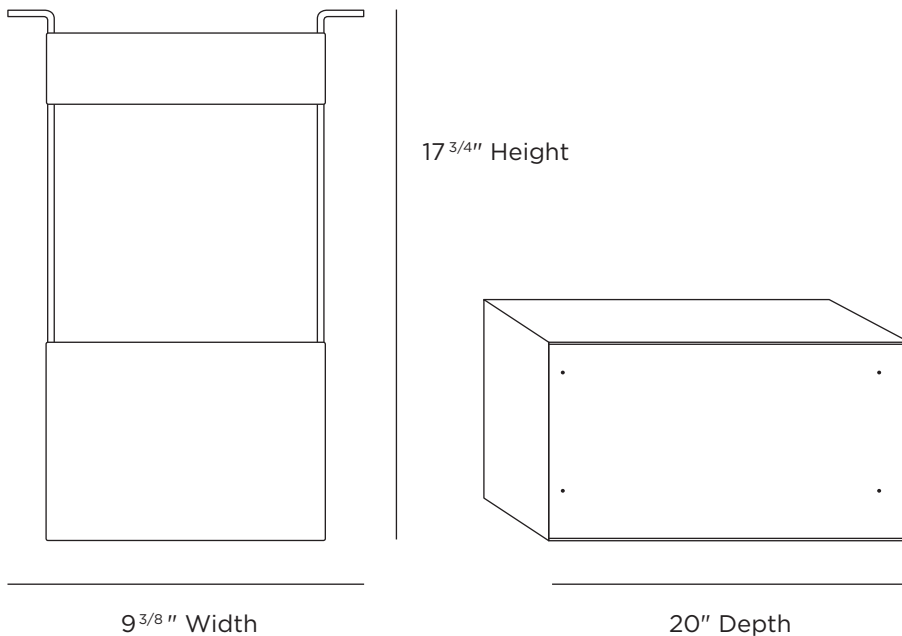


SLY

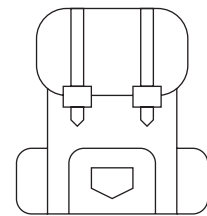
Mounted under the table and out of sight, this caddy keeps personal items off the desktop, giving you more room to work.

- 17 ³/₄" x 9 ³/₈" x 20" compartment has open top for easy storage.
- Caddy mounts to underside of any desk or table.
- Sturdy steel design supports up to 150 pounds, so feel free to load it up.

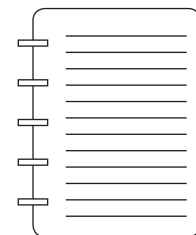
DIMENSIONS



SLY CAN FIT...



Backpack



Notebooks

SLY WORKSHEET

For each step, choose your option and write the corresponding code in the grey box at the right. If you plan to choose custom colors or materials, please contact your rep instead of completing this sheet.

<div style="display: flex; align-items: center;"> <div style="border: 1px solid black; border-radius: 50%; width: 40px; height: 40px; display: flex; align-items: center; justify-content: center; margin-right: 10px;">1</div> <div> <h2 style="margin: 0;">DIMENSIONS</h2> <p style="margin: 5px 0 0 0;">For Step 1, we've already listed the price in the grey box.</p> </div> </div>	HEIGHT, WIDTH, DEPTH	LIST PRICE	
	15" x 9 1/2" x 7"	\$639.17	
		B	
<div style="display: flex; align-items: center;"> <div style="border: 1px solid black; border-radius: 50%; width: 40px; height: 40px; display: flex; align-items: center; justify-content: center; margin-right: 10px;">2</div> <div> <h2 style="margin: 0;">COLOR</h2> <p style="margin: 5px 0 0 0;">Caddies can be finished in 22 standard colors, including a clear coat that lets the natural material show through. Pick your favorite and write the code in the grey box.</p> </div> </div>	COLOR	CODE	
	Red	M1	
	Orange	M2	
	Yellow	M3	
	Blue	M4	
	Green	M5	
	Inter Red	M6	
	Safety Orange	M7	
	Western Tan	M8	
	Slate Blue	M9	
	Forest Green	M10	
	Dark Brown	M11	
	Graphite	M12	
	Sandstone	M13	
	Light Tan	M14	
	Clear	M15	
	Black	M16	
	Astro Grey	M17	
	Artic White	M18	
	Frame Grey	M19	
	Platinum Grey	M20	
	Champagne Metallic	M21	
	Battleship Grey	M22	
	A		
	CODE		
ITEM NUMBER	NAME	A	To complete your order, please transfer the codes from your worksheet to this section.
	SL		
TOTAL		GRAND TOTAL	
_____	x	_____	=
B		QUANTITY	
			\$ _____